



# THERMINO

## TS



## The future of hot water is here

Thermino TS is the small and efficient alternative to indirect vented and unvented hot water cylinders

**Space-saving innovation:**

Up to 4 x smaller than conventional hot water cylinders

**Compatible with a range of heat sources:**

Works with heat pumps and boilers, including gas, oil, and LPG

**Super efficient:**

Ultra low heat losses

**Invigorating showers:**

Enjoy the luxury of mains pressure showers and on-demand hot water

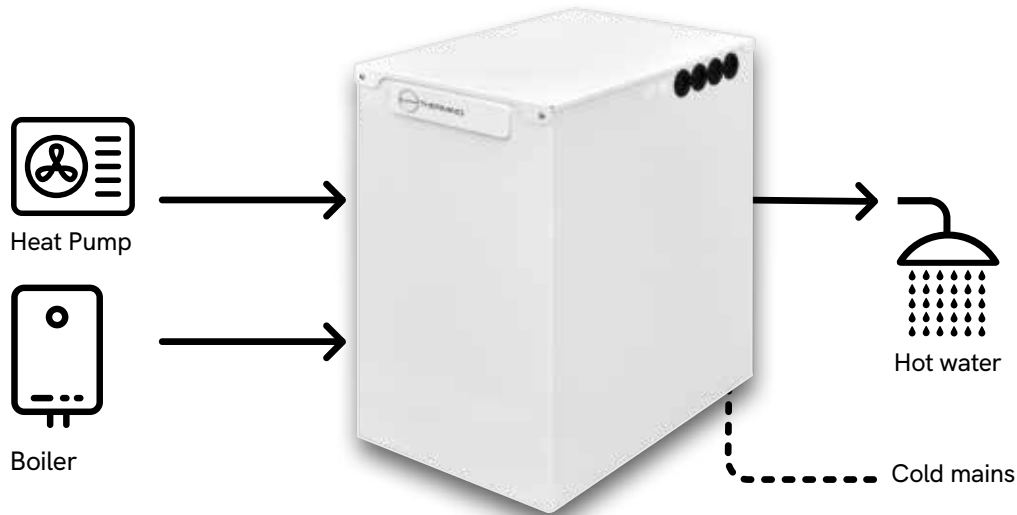
**Hassle-free:**

Easy to install and no mandatory annual maintenance on the appliance

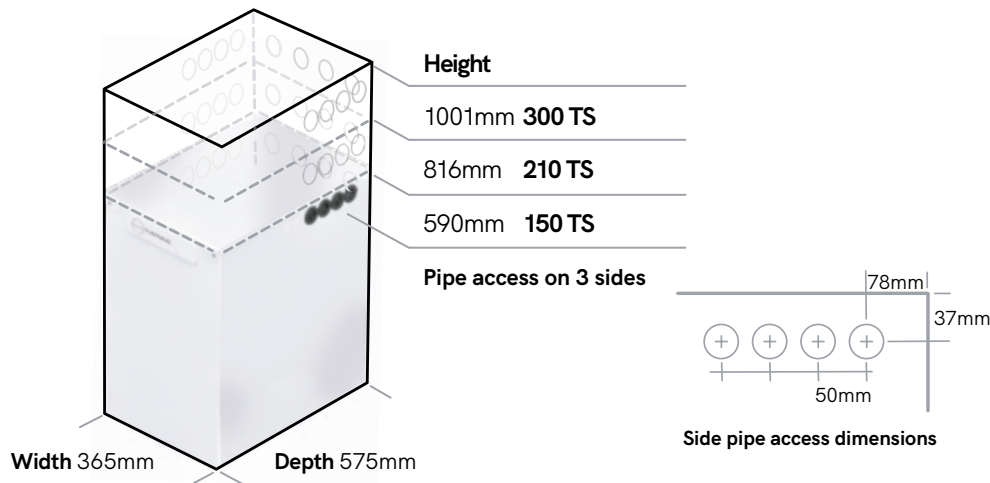
**Legionella protection:**

Innovative design minimises risk of Legionella

# How Thermino works



## Thermino TS Dimensions



Thermino TS technical data	150 TS	210 TS	300 TS
Manufacturer's part number	TKP-ZZW-ANZ-1	TNP-ZZW-ANZ-1	TRP-ZZW-ANZ-1
Equivalent hot water cylinder size (L)	128	192	256
V40 - Volume of hot water available at 40°C (L)	167	271	333
Heat loss, kWh/24h (W)	0.65 (27)	0.74 (31)	0.81 (34)
Energy label class	A+		
Recommended maximum flow rate (L/min)	15	20	25
Minimum supply pressure at heat battery inlet, MPa (Bar)	0.15 (1.5)		
Maximum operating pressure/PRV set point, MPa (Bar)	0.5 (5)		
Recommended operating pressure/PRV set point, MPa (Bar)	0.3 (3)		
Maximum heat source flow temperature (°C)	80		
Minimum heat source flow temperature (°C)	65		
Minimum heat source return temperature (°C)	63		
Recommended TMV setting (°C)	45-55		
Product gross weight (kg)	116	170	212
Product net weight (kg)	109	159	199

NOTE: In line with UK Building Regulations, Sunamp advise the installation of a suitable hot water supply tempering valve at the outlet of the appliance, to prevent the risk of scalding.

Sunamp Limited, 1 Satellite Park, Macmerry, East Lothian, EH33 1RY, Scotland, UK  
 info@sunamp.com +44 (0)1875 610001

As an innovative company committed to achieving net zero, Sunamp Ltd continuously improves its products which means data and other information are subject to change without prior notice. While every effort has been made to ensure that all specifications and descriptions are correct at the time of going to press, this brochure should not be regarded as an infallible guide nor as an offer of sale for a particular product. Always refer to the latest version of this document, other information and our latest terms and conditions which are available to view and download at [www.sunamp.com](http://www.sunamp.com)

Scan here for more information about Thermino TS, including installation instructions

